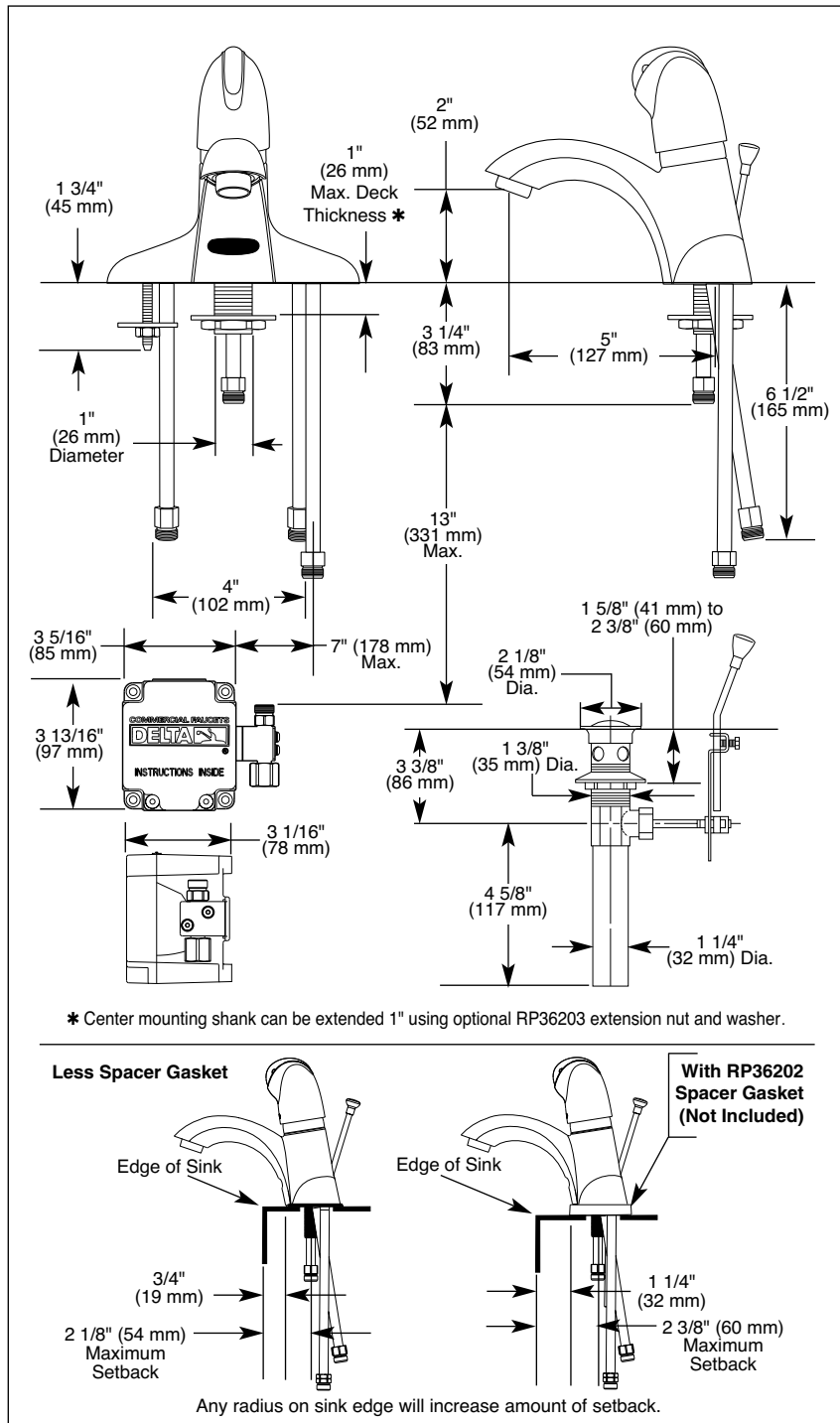


547

Submitted Model No.: _____

Specific Features: _____



DELTA

LAVATORY FAUCETS

- e-Flow™ Mixing/Sensing Electronic Faucet
- Battery Operated
- Convertible to Hardwire Option
- 3 Hole, 4" Centerset Sink Applications
- Interchangeable Handle Options

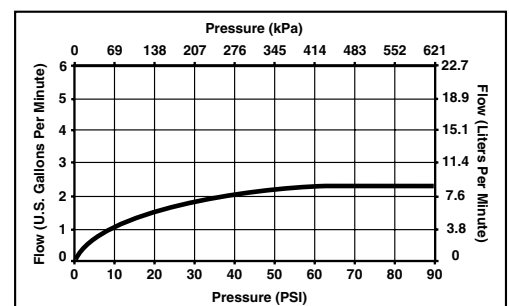


COMPLIES WITH:

- ASME A112.18.1-1996
- CSA B125-1998
- Indicates ADA compliance to ICC/ANSI A117.1-1996

STANDARD SPECIFICATIONS:

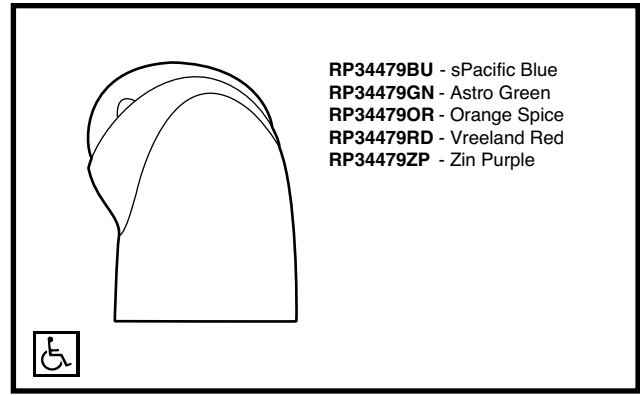
- ADA compliant, above deck temperature control with adjustable handle limit stop.
- Hands free on/off activation.
- Self-adaptive sensor automatically calibrates to any sink.
- No external adjustments required to compensate for sink size, shape or surface reflectivity.
- Standard pop-up drain assembly included.
- Powered by 4 "AA" batteries.
- Expected battery life of approximately 1 year with normal usage.
- Low battery light will activate when approximately 3,000 cycles remain.
- Operates with a 30 second maximum run time. Will reset once obstruction is removed.
- All electronic elements are waterproofed and protected against humidity and steam.
- Serviceable filter screen upstream of valve.
- Convertible to hardwire - use standard transformer (120VAC to 24VAC) and Delta converter (24VAC to 6.4VDC) (RP32494).
- **Special Notes:** Center of mounting hole should not exceed 2 1/8" (54 mm) from edge of sink. Self-rimming sinks may affect sensor performance and reduce set back depending on lip height. Set back can be increased 1/4" by using optional RP36202 spacer gasket.
- If used in a commercial application, avoid placing additional IR (infrared) sensors from items such as hand dryers or flush valves within 4 feet of this product, or be sure to test the systems prior to permanent placement of such items to be certain no interference occurs.



Delta reserves the right (1) to make changes in specifications and materials, and (2) to change or discontinue models, both without notice or obligation. Dimensions are for reference only.

Standard Features	547	547-NN
	Three Hole Installation	◆
4" (102 mm) Centerset	◆	◆
Above Deck Temperature Control	◆	◆
Adjustable Handle Limit Stop	◆	◆
5" (127 mm) Long Rigid Spout	◆	◆
Metal Pop-Up Drain	◆	◆
3/8" O.D. Copper Supply Tubes	◆	◆
Chrome Finish	◆	
<i>Brilliance</i> ® Pearl Nickel Finish		◆

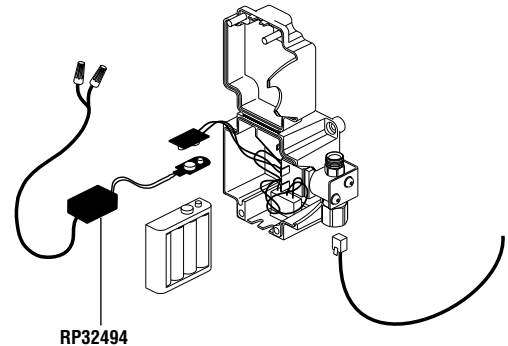
Available Handle Options



AC CONVERTER, HARD WIRE & PLUG-IN TRANSFORMER

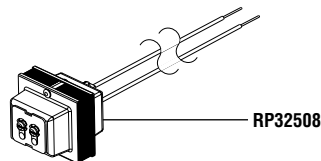
RP32494—Hard Wire Converter Specifications

General: Converts Delta 547 Series battery electronic faucets to hard wire
Input Voltage: 24 VAC @ 60 Hz
Output Voltage: 6.4 VDC ± 5%
Current Draw: 600 MA
Operating Temperature Range: -55°C to 85°C
Physical Connections: #22 AWG Stripped Primary Connection / 9 VDC Snap Secondary Connection
Wire Size: #22 AWG
Wire Length: 18.0"
Wire Ends: PVC jacket removal should be 2.25" ± .50" and strip length of wires should be .375" typical



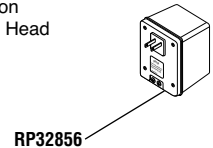
RP32508—Hard Wire Transformer Specifications

General: Supplies power for up to 10 Delta 547 Series electronic units already converted to hard wire
Input Voltage: 120 VAC @ 60 Hz
Output Voltage (unloaded): 24 VAC ± 3% @ 20 VA
Current Draw: 800 MA
Operating Temperature Range: 130° C Maximum Temperature
Physical Connections: Universal Mounting Clip
Wire Size: #18 AWG
Wire Length: 11.75"
Wire Ends: Stripped (Black/White)
Terminals: Screw Type #6 Universal Pan Head
Safety Approval: UL Listed Class 2
 CSA Certified
 Class B Insulation System



RP32856—Plug-In Transformer Specifications

General: Supplies power for up to 10 Delta 547 Series electronic units already converted to hard wire
Input Voltage: 120 VAC @ 60 Hz
Output Voltage (unloaded): 24 VAC ± 5% @ 19.2 VA
Current Draw: 800 MA
Operating Temperature Range: -10°C to 40°C
Physical Connections: Plug-In Connection
Terminals: Screw Type #6 Universal Pan Head
Safety Approval: UL Listed
 CSA Certified



Indianapolis, Indiana 46280
 A Division of Masco Corporation of Indiana
 © 2001 Masco Corporation of Indiana